

Issue date	2023-03-01	File No#		Version	A/1
Issue dept	R&D	File Name	Solar flood light- RYTJ02	Page	1 / 6

Product Specification

Product Name: Solar flood light

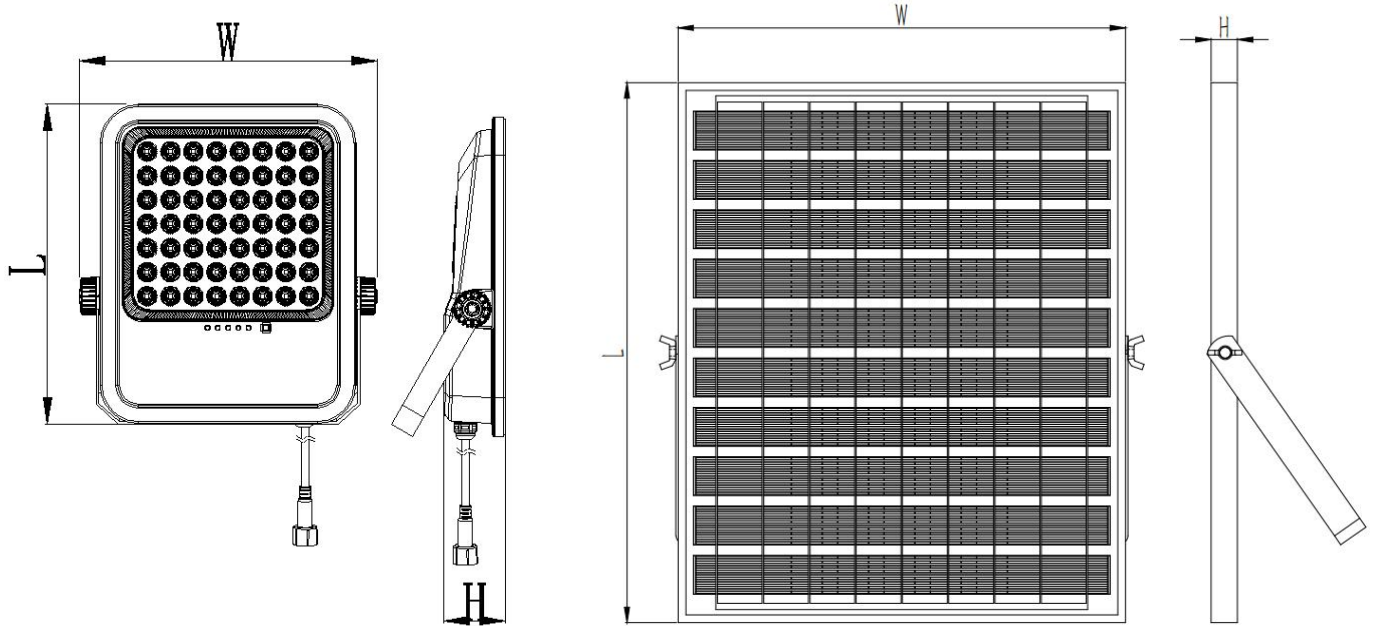
Product Series : Glory Lens series II

Product Item : ZQ-RYTJ02-***

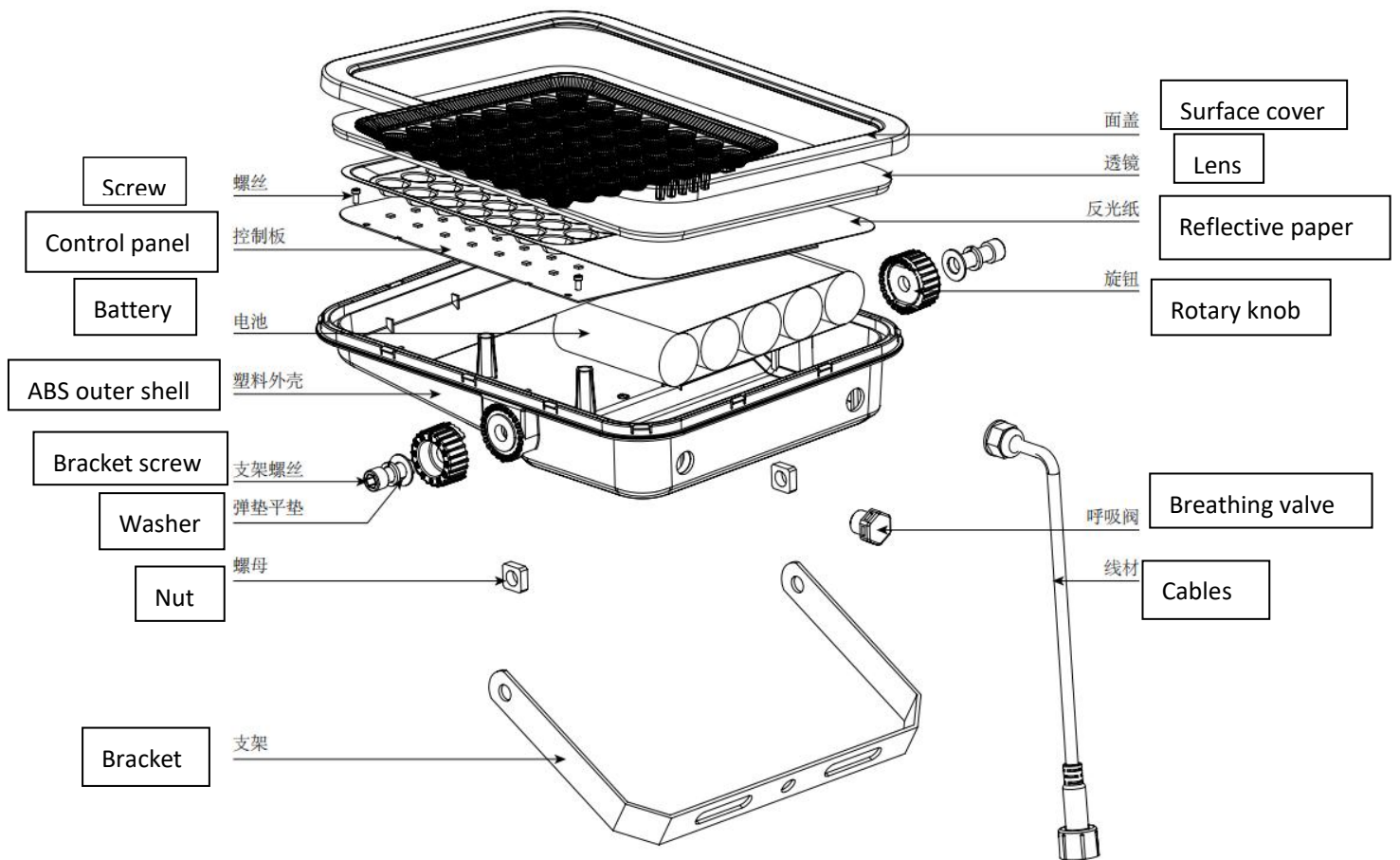


Issue date	2023-03-01	File No#		Version	A/1
Issue dept	R&D	File Name	Solar flood light- RYTJ02	Page	2 / 6

Product structure drawing



Product explosion diagram



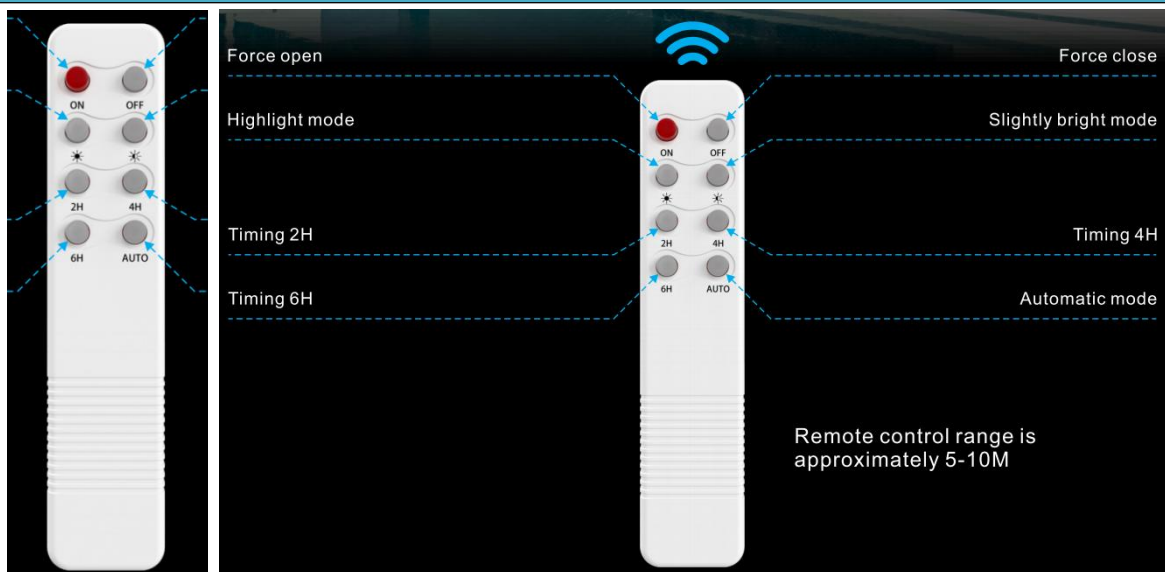
Issue date	2023-03-01	File No#		Version	A/1
Issue dept	R&D	File Name	Solar flood light- RYTJ02	Page	3 / 6

Product parameter

Name	Model/Parameter							
	ZQ-RYTJ02 - 040W	ZQ-RYTJ02 - 080W	ZQ-RYTJ02 - 120W	ZQ-RYTJ02 - 160W	ZQ-RYTJ02 - 200W	ZQ-RYTJ02 - 240W	ZQ-RYTJ02 - 280W	ZQ-RYTJ02 - 320W
Solar panel size(W*L*H)	210*200* 17 mm	205*300* 17 mm	390*230* 17 mm	390*280* 17 mm	390*300* 17 mm	390*360* 17 mm	390*430* 17 mm	390*510* 17 mm
Solar power (W)	6W/5V	10W/5V	15W/5V	18W/5V	20W/5V	25W/5V	30W/5V	35W/5V
Battery	4AH	8AH	12AH	16AH	20AH	24AH	28AH	32AH
Lumen (max)LM	550LM	1100LM	1650LM	2200LM	2750LM	3300LM	3850LM	4400LM
LEDs	3030/30PCS		3030/56PCS		3030/72PCS		3030/90PCS	
Lamp body size(mm)	198*193*48mm		248.5*233*48mm		283*260*48mm		318*288*48mm	
Battery type	LiFePO4 Battery-3.2V							
Battery cycle life	>1200							
Protection voltage	2.1V							
Installation height	3-6m							
Lighting Control	Charge during the day (>10lux) & light off, discharge at night (<5-10lux) & light on							
Charging time	Normal illumination 4-6 hours (>40000lux)							
Working time	>12H(full charge AUTO mode)							
IP rating	IP65							
Material	ABS,black							
Temperature and humidity	Temperature: charge above 5℃, discharge above -10℃ Working humidity: 95% RH							

Issue date	2023-03-01	File No#		Version	A/1
Issue dept	R&D	File Name	Solar flood light- RYTJ02	Page	4 / 6

Product function



Key	Function	Validity	Valid conditions	Detailed description
【ON】	On	Single	Day and night	Brightness will be decreased from 100%, the light will be off after 12-14 hours.
	Enable the lamp to light up	Single	Day and night	When the light is permanent power off , simply press [ON] button to release.
【OFF】	Off	Single	Day and night	Light off.
	Permanent power off	Every day (with memory)	Day and night	Keep press OFF key for 3 seconds, the lamp will be OFF and still can be charged, but can not light ON unless press the "ON" key.
☀	High light	Single (When light on)	Day and night	The button is effective when the light is on, the brightness will keep 165%, and light will be off after 3 hours.
☾	Slightly light	Single (When light on)	Day and night	The button is effective when the light is on, the brightness will keep 35%, and the light will be off after 12-14 hours.
【2H】	Time control 2 hours	Every day (with memory)	Night	Keep 165% brightness, the light will be off after 2 hours.
【4H】	Time control 4 hours	Every day (with memory)	Night	Brightness will be decreased from 100%, the light will be off after 4 hours.
【6H】	Time control 6 hours	Every day (with memory)	Night	Brightness will be decreased from 100%, the light will be off after 6 hours.
【AUTO】	Time control 14 hours	Every day (with memory)	Night	Brightness will be decreased from 100%, the light will be off after 12-14 hours.

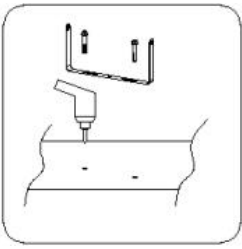
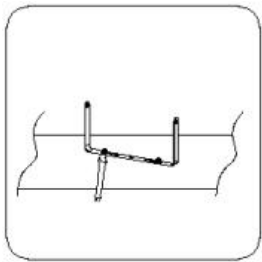
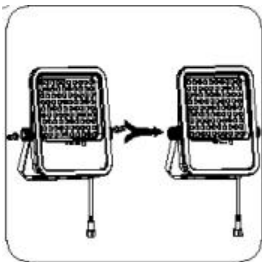
Note: After the remote control turns off the lamp for more than 48 hours, the lamp body enters the sleep mode, the standby current is 5uA. The lamp must be connected to the solar panel when it works again.

Issue date	2023-03-01	File No#		Version	A/1
Issue dept	R&D	File Name	Solar flood light- RYTJ02	Page	5 / 6


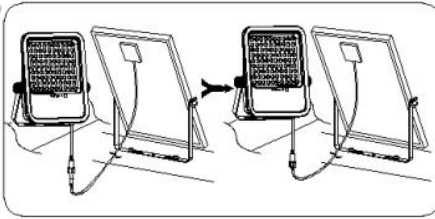
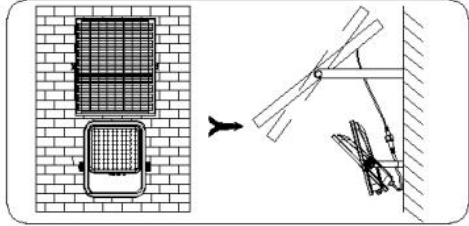
Instruction for use

1. After taking out the lamp body, connect the photovoltaic panel, charge and activate the lamp.
2. After the lamp is activated, the default mode is "AUTO". Users can set the required working mode by remote control.
3. Install the lamp according to the installation procedure.
4. After the installation of the lamp, if the charging time is not enough, the lighting time and brightness may be affected in the evening. When the next charging time is sufficient, the work will turn to normal. In autumn, winter, continuous cloudy or rainy days, the charging effect will be weakened, lighting time may be shortened, this is a normal phenomenon.

Installation instructions

		
<p>① Use the drill to cut a hole at the installation position (according to the position of the solar panel bracket and the lamp body bracket), plug and knock the expansion screw in place.</p>	<p>② Use a spanner to fix the screws to the light plate and lamp body bracket.</p>	<p>③ Fix the lamp body with hexagon socket head cap screw.</p>

Issue date	2023-03-01	File No#		Version	A/1
Issue dept	R&D	File Name	Solar flood light- RYTJ02	Page	6 / 6

		
<p>④ Fix the solar panel with wing screw.</p>	<p>⑤ Connect the solar panel cable with the lamp body terminal.</p>	<p>⑥ Adjust the solar panel angle according to the angle of maximum daylight duration and keep an angle with horizon based on local latitude and longitude, select the right angle, tighten it. Set the lamp body with lighting direction (The luminous surface of the lamp body is strictly prohibited from irradiating the photovoltaic panel crystal surface), select the right angle and tighten it.</p>

Important Notice

- ★ Please keep the installation tools away from children.
- ★ Please install on a flat and stable surface, and fix the photovoltaic panel and the lamp body to prevent from hurting people by wind or other reasons .
- ★ Choose an angle to ensure the maximum daylight duration for the photovoltaic panel.
- ★ Please do not throw the lamp away because it contains batteries which is recyclable.
- ★ The product is strictly prohibited to be placed on fire because it contains batteries and it might cause explosion.
- ★ Please do not connect to 110/220V alternating current to avoid damage to the lamp.
- ★ In order to keep the lighting effects, please clean up the dust or debris on the surface of the photovoltaic panel every 3-4 months.
- ★ In autumn, winter, continuous cloudy or rainy days, the charging effect will be weakened and the lighting time will be shortened, which is normal.
- ★ Avoid installing lamps near air conditioners, heating objects, or high-voltage power grid systems.